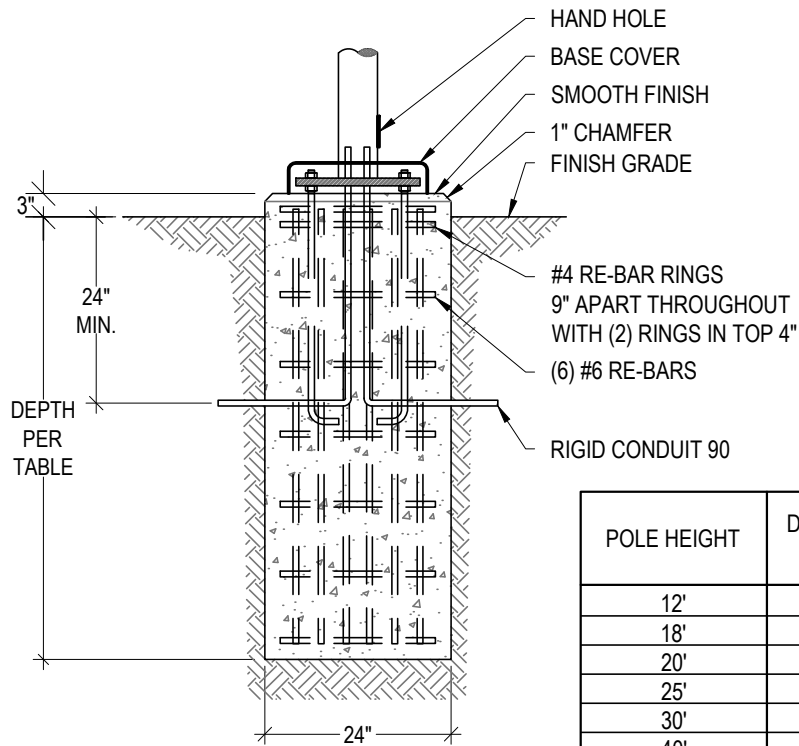


J-BOX DETAIL



POLE HEIGHT	DEPTH BELOW GRADE
12'	42"
18'	48"
20'	48"
25'	54"
30'	60"
40'	72"

1. ANCHOR BOLTS SUPPLIED WITH POLE. INSTALL PER MANUFACTURER'S INSTRUCTIONS.
2. BOND GROUND CONDUCTOR TO POLE.
3. SEAL CONDUIT TO PREVENT WATER INFILTRATION.
4. PROVIDE SPARE CONDUIT 36" BEYOND LAST POLE ON CIRCUIT, AND CAP FOR FUTURE EXTENSION.