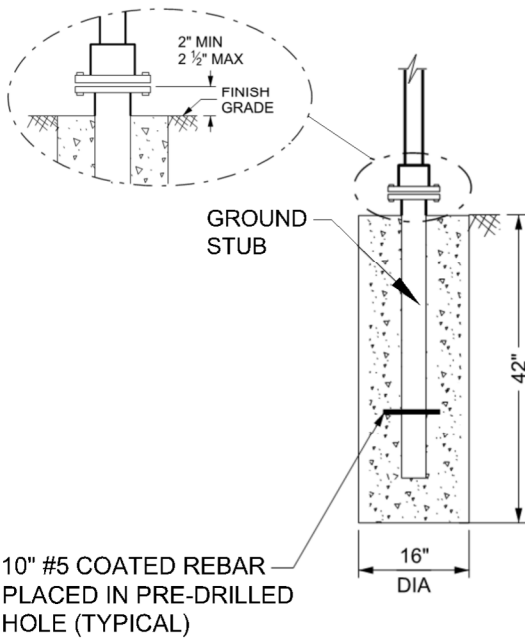
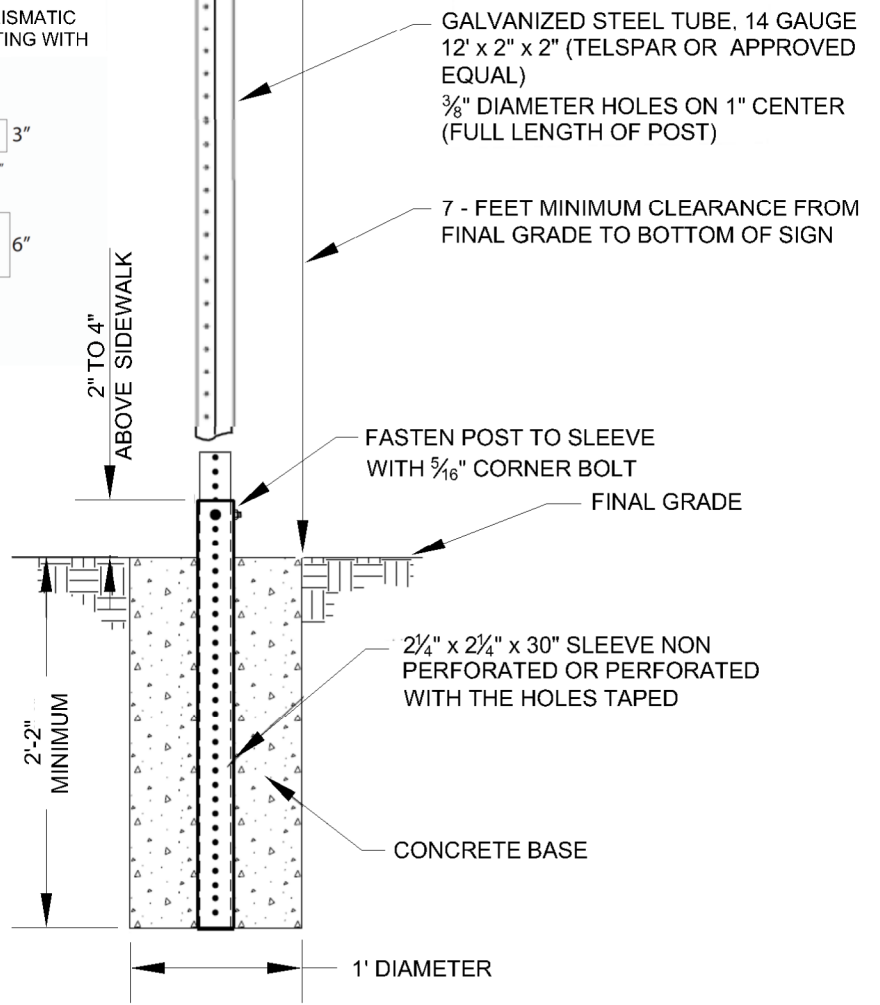


FLEXI TRAFFIC GREEN / C:100 M:20 Y:85 K:0
 WHITE / C:0 M:0 Y:0
 FONT: HIGHWAY GOTHIC C
 SHEETING: HIGH INTENSITY PRISMATIC REFLECTIVE SHEETING WITH 1170 UV OVERLAY



OPTION A
 UDOT STANDARD SIGN BASE SN 10A
 USE A P3,P4 OR P5 ANCHOR



GROUND INSTALLATION DETAIL
 (W/ONE PIECE BREAKAWAY ANCHOR)