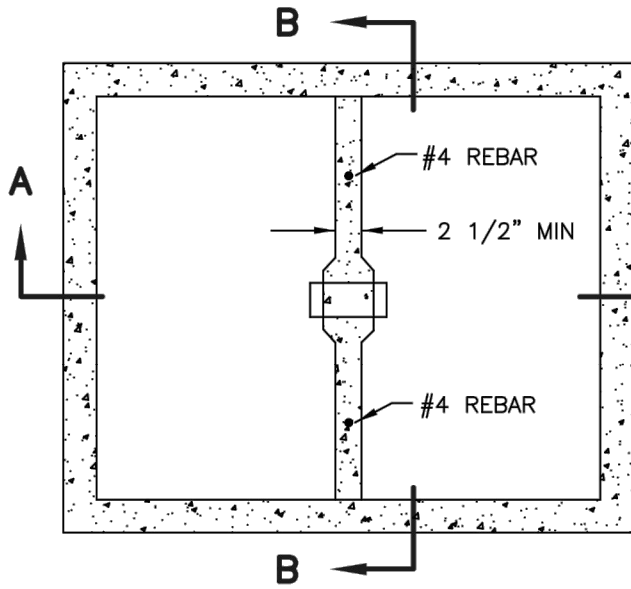
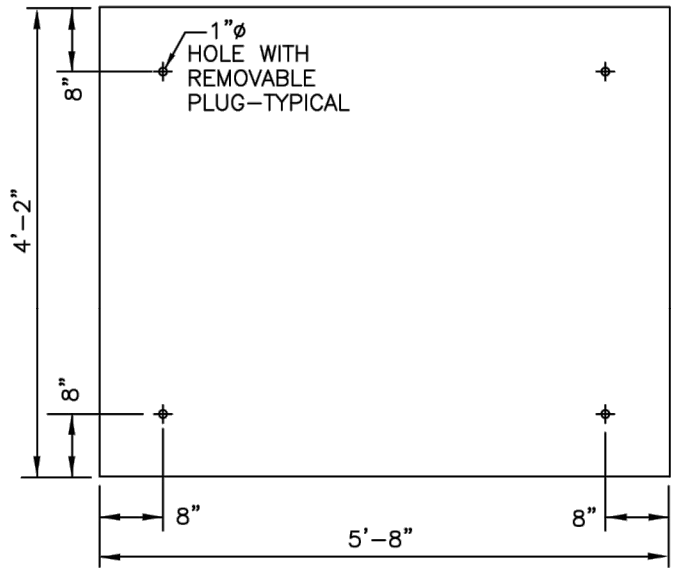


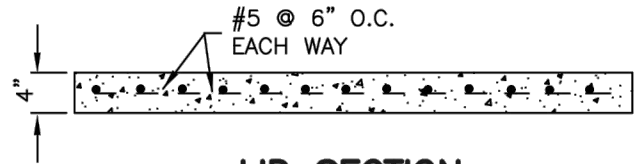
SHOWN FOR CONCEPT ONLY. ACTUAL SIZE AND DESIGN ARE SITE SPECIFIC AND REQUIRE CITY APPROVAL



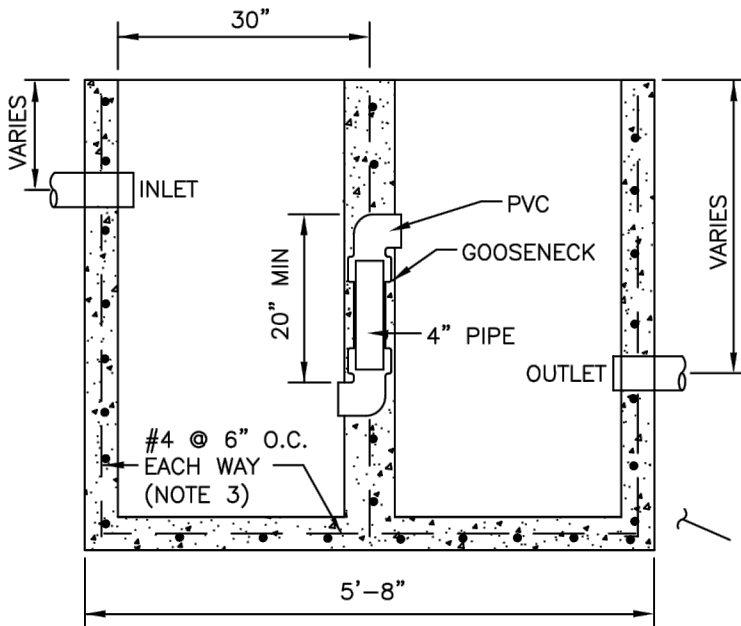
BOX PLAN



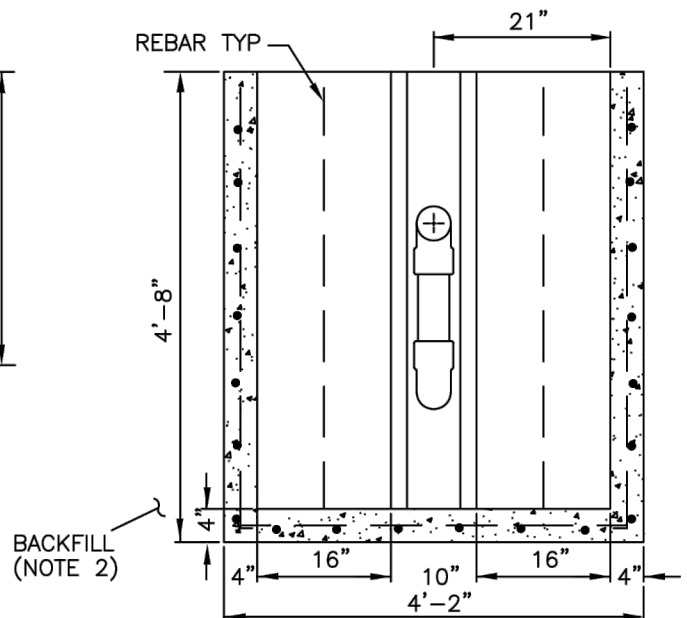
LID PLAN



LID SECTION



SECTION A-A



SECTION B-B