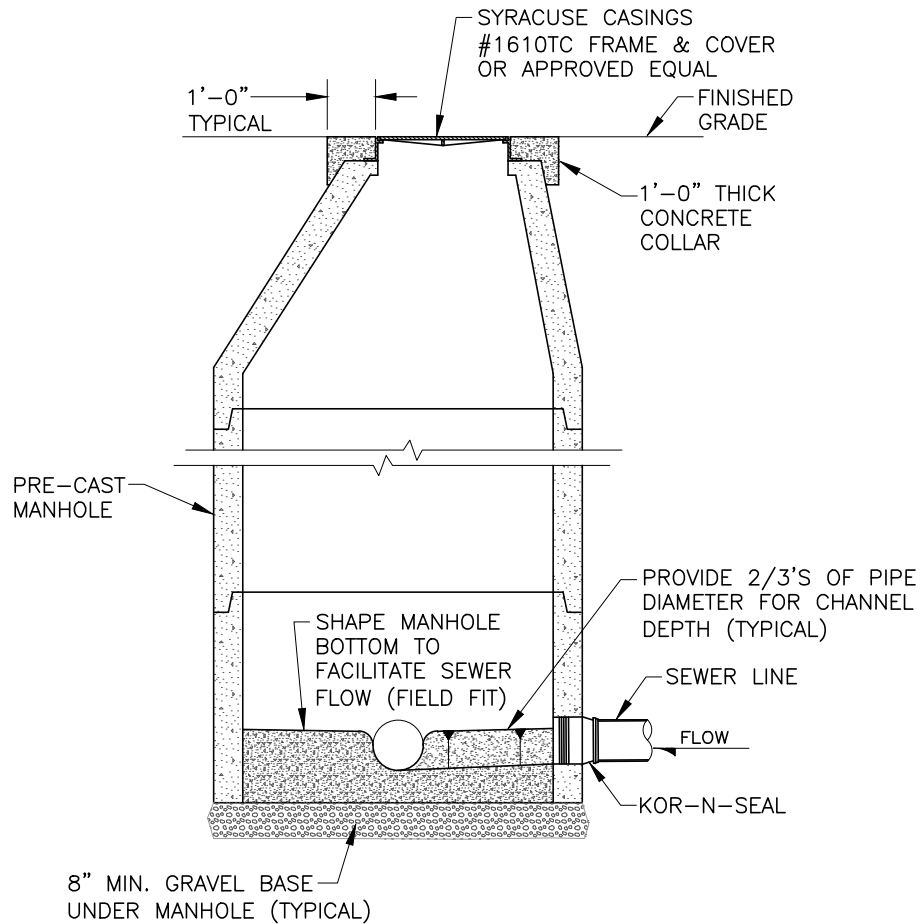
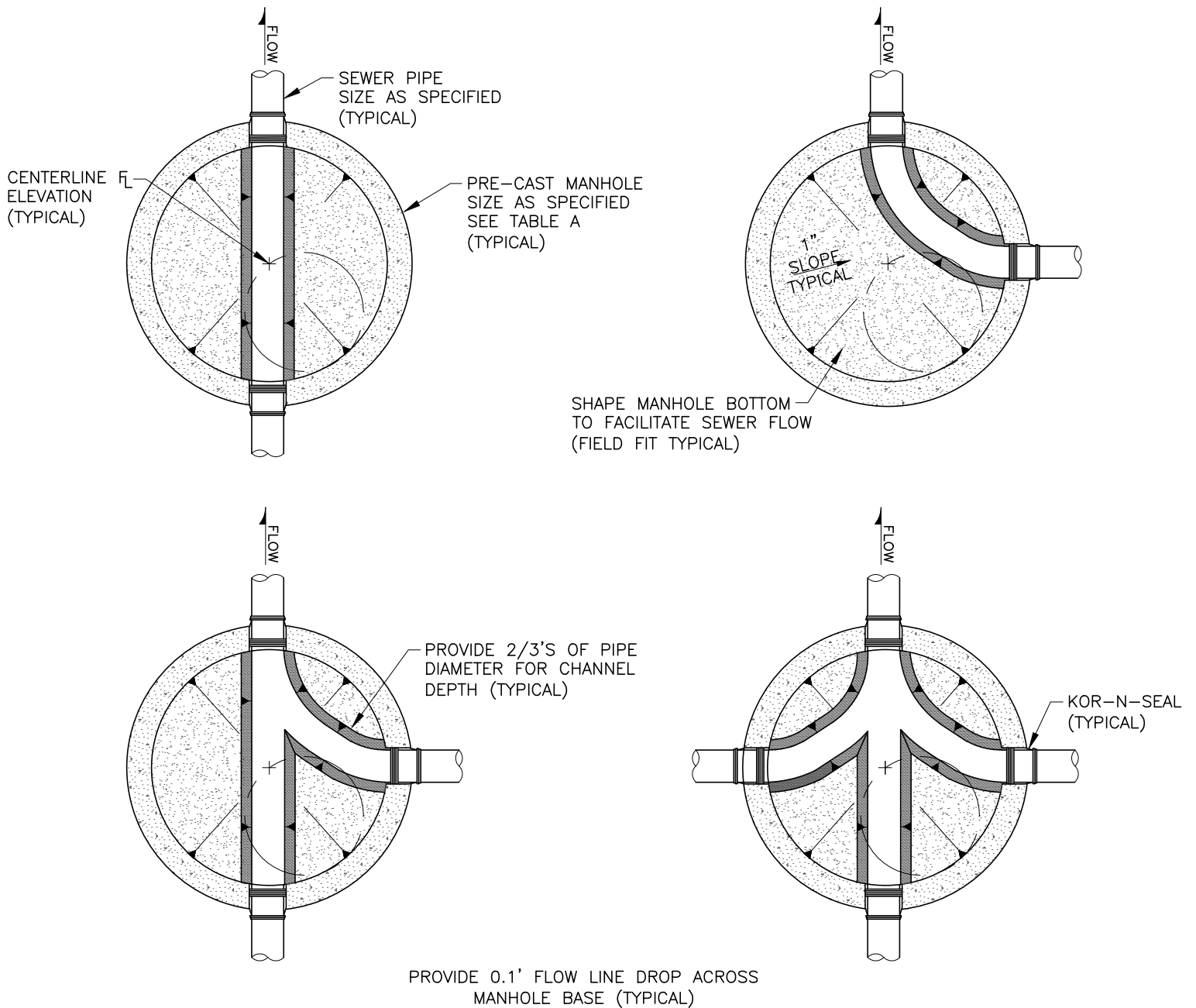


NOTE: SEE PLAN 411 R DRAWING 2 OF 2 FOR BASE TYPICAL BASE CONFIGURATIONS.



# STANDARD SEWER MANHOLE DETAIL



MANHOLE DIAMETER	PIPE SIZE
48-INCH	UP TO 12-INCH
60-INCH	12-INCH TO 18-INCH
72-INCH	LARGER THEN 18-INCH

NOTE: ANY CHANGES TO THE ABOVE TABLES SHALL REQUIRE APPROVAL FROM ENGINEER. ALL MANHOLE BASES WITH THREE OR MORE PENETRATIONS SHALL BE 60-INCH MINIMUM, OR AS REQUIRED BY ENGINEER.