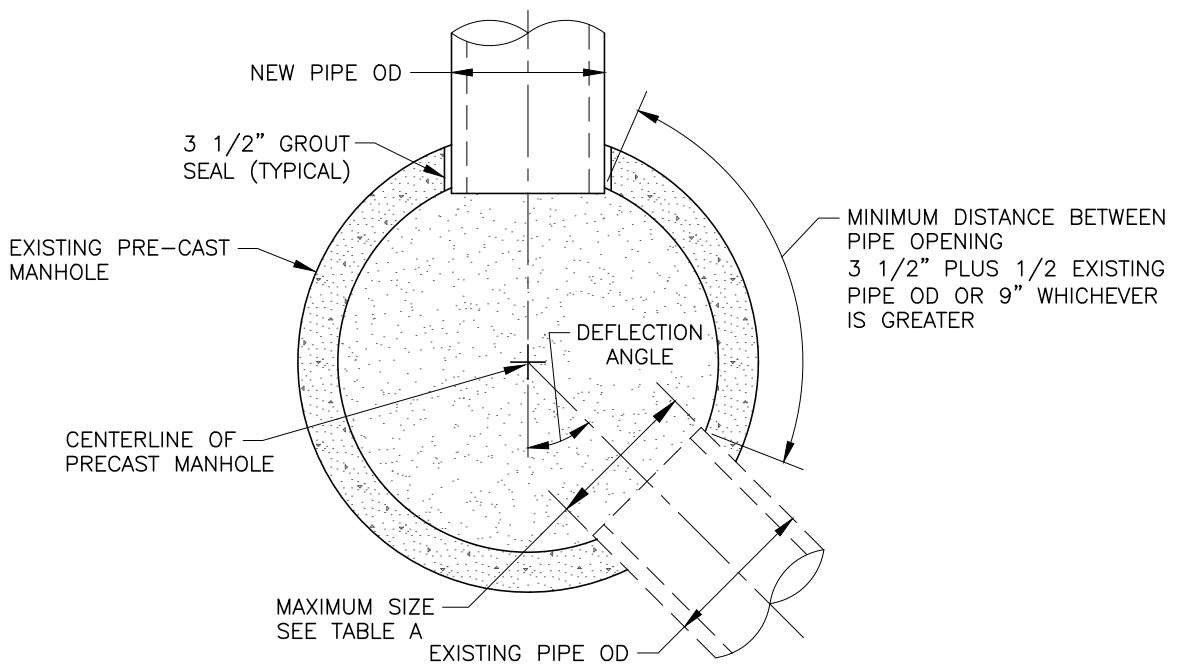


NEW MANHOLE



EXISTING MANHOLE

TABLE A MANHOLE DIAMETER TO PIPE OD	
MANHOLE DIAMETER	STRAIGHT RUN - NO DEFLECTION
48-INCH	UP TO 12-INCH
60-INCH	15-INCH TO 36-INCH
72-INCH	42-INCH TO 48-INCH
84-INCH	54-INCH TO 60-INCH

NOTE: ANY CHANGES TO THE ABOVE TABLES SHALL REQUIRE APPROVAL FROM ENGINEER. ALL MANHOLE BASES WITH THREE OR MORE PENETRATIONS SHALL BE 60-INCH MINIMUM, OR AS REQUIRED BY ENGINEER.