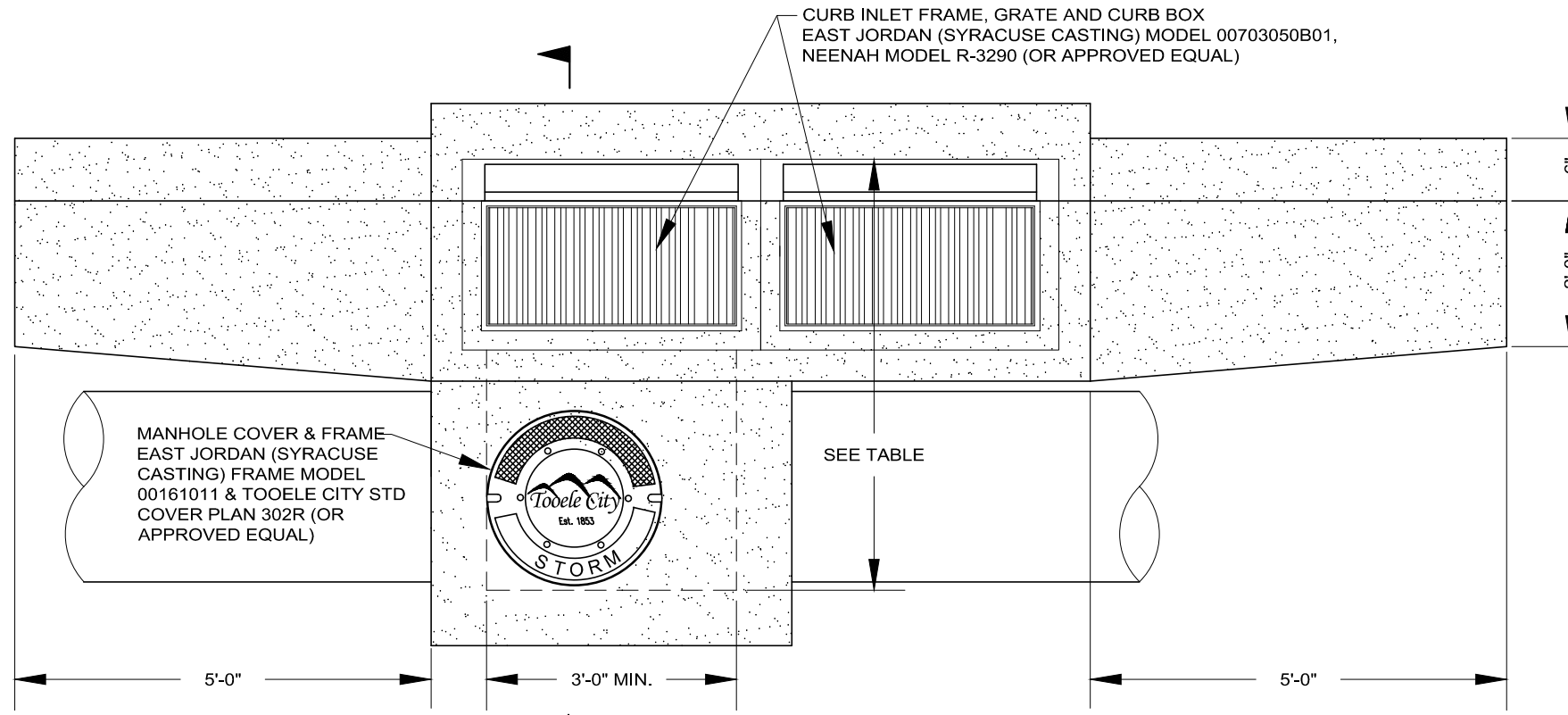
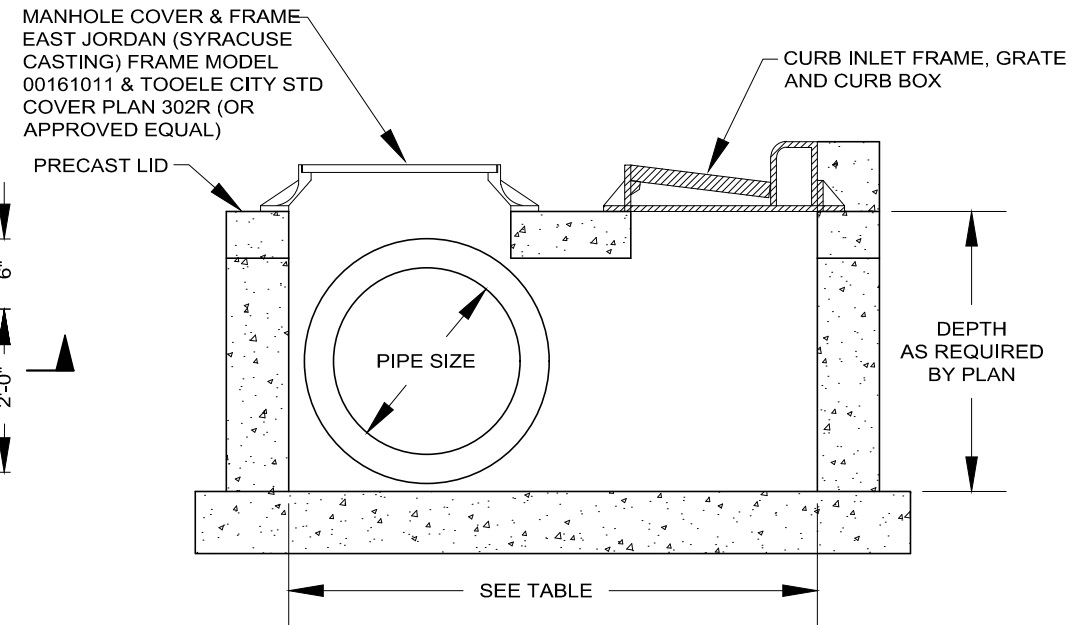


1  
—



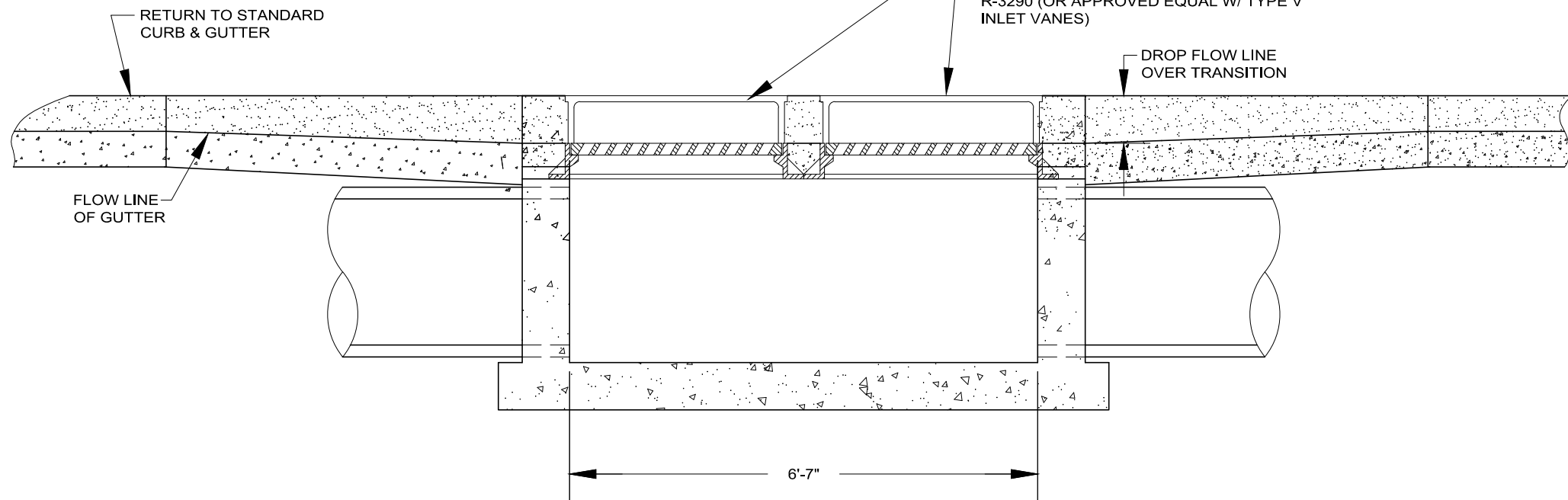
2  
1

PLAN



SECTION 2  
—

NOTE:  
PROVIDE SHOP DRAWING OF INLET COMBO BOX PRIOR TO FABRICATION. MINIMUM DESIGN: H-20 LOADING



SECTION 1  
—

TABLE	
MINIMUM INSIDE BOX WIDTH	CONCRETE PIPE SIZE (MAX.)
8'-4"	*24"
8'-7"	* 30"
8'-10"	* 36"
9'-1"	* 42"
9'-5"	* 48"

\* CONFIRM INSIDE BOX WIDTH FOR PIPE FIT WITH PRE-CAST BOX MANUFACTURER



## DOUBLE STORM DRAIN INLET COMBO BOX DETAIL