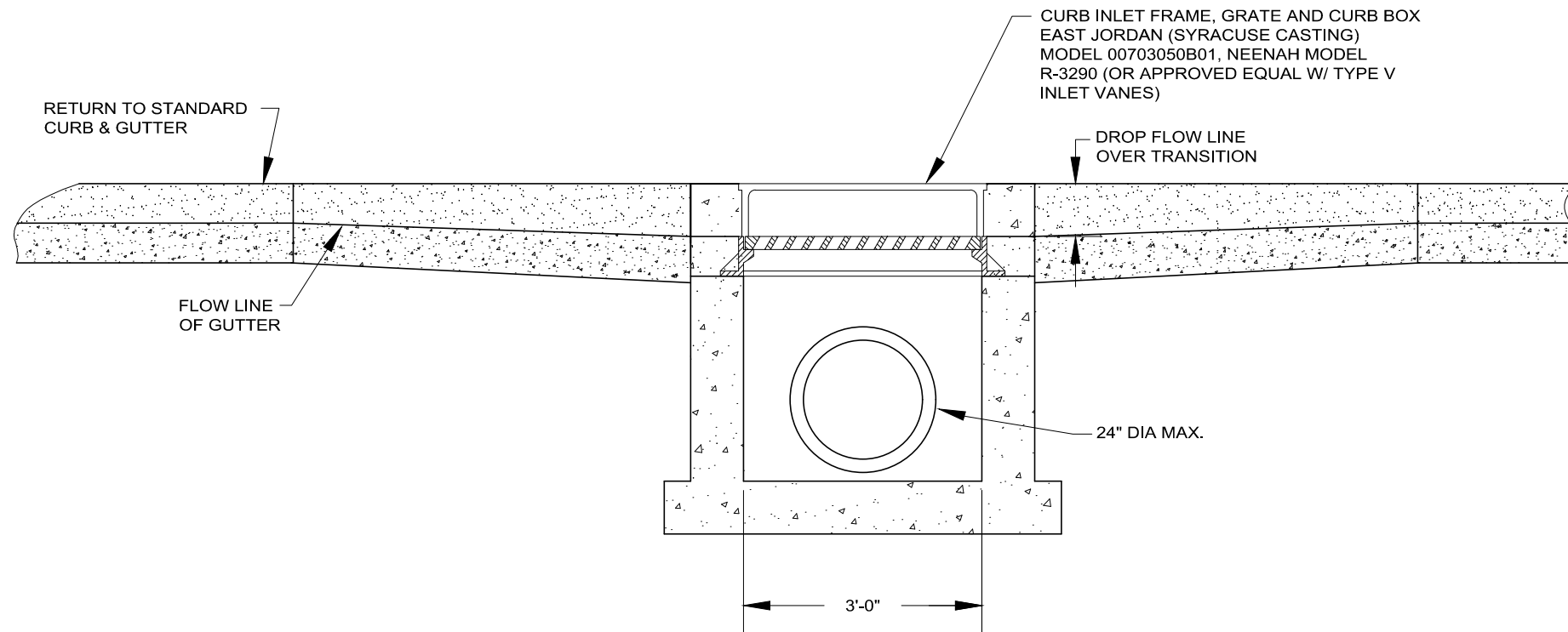
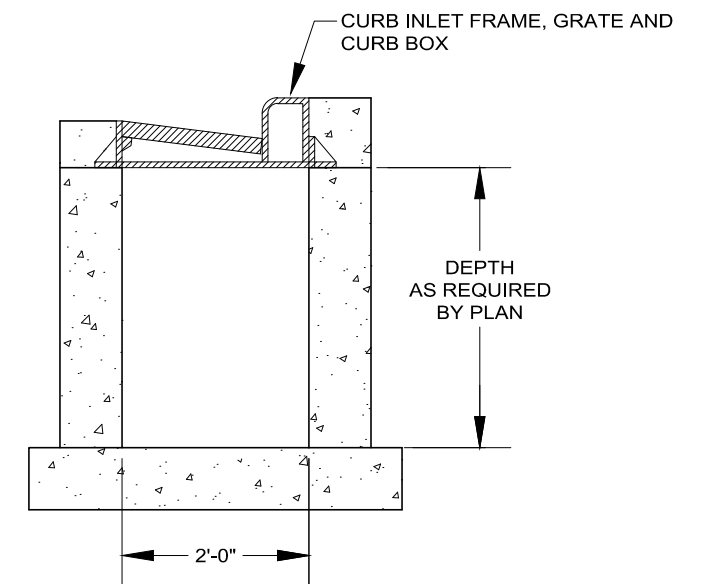


NOTE:
PROVIDE SHOP DRAWING OF INLET BOX PRIOR TO
FABRICATION. MINIMUM DESIGN: H-20 LOADING

PLAN



SECTION 1



SECTION 2

SINGLE STORM DRAIN INLET
DETAIL