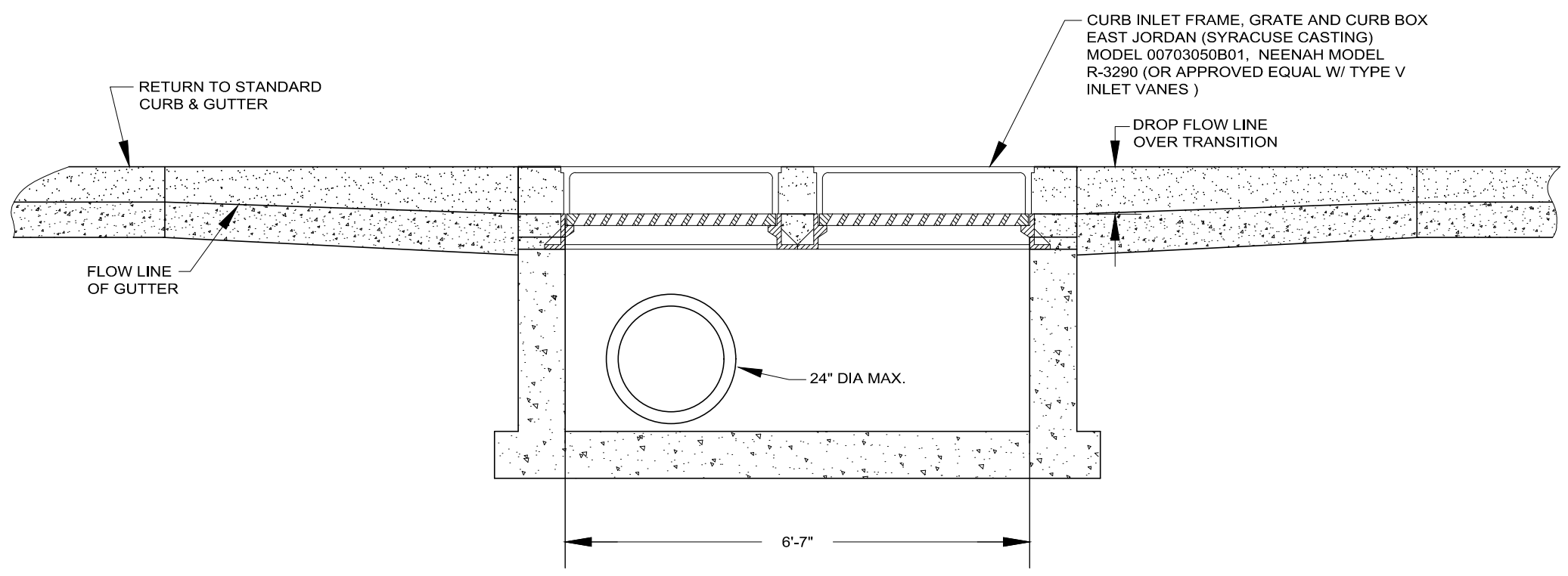
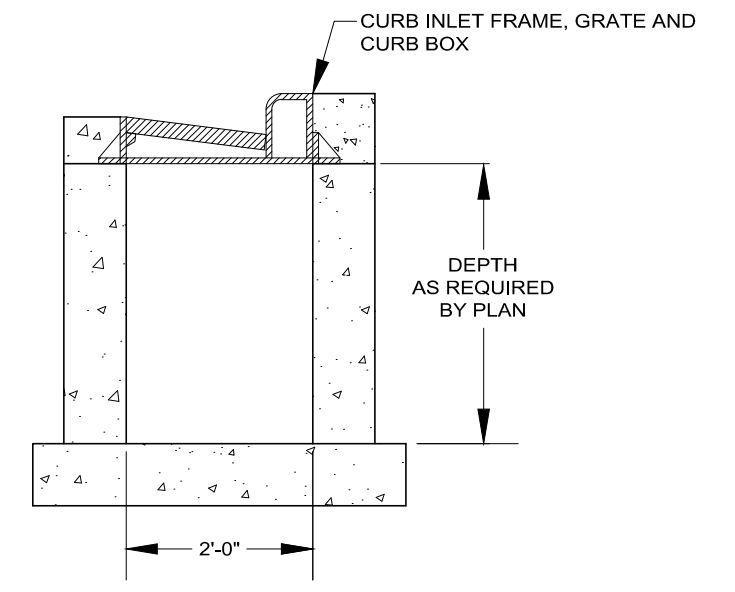


PLAN

NOTE:
 PROVIDE SHOP DRAWING OF INLET BOX PRIOR TO
 FABRICATION. MINIMUM DESIGN: H-20 LOADING



SECTION 1



SECTION 2