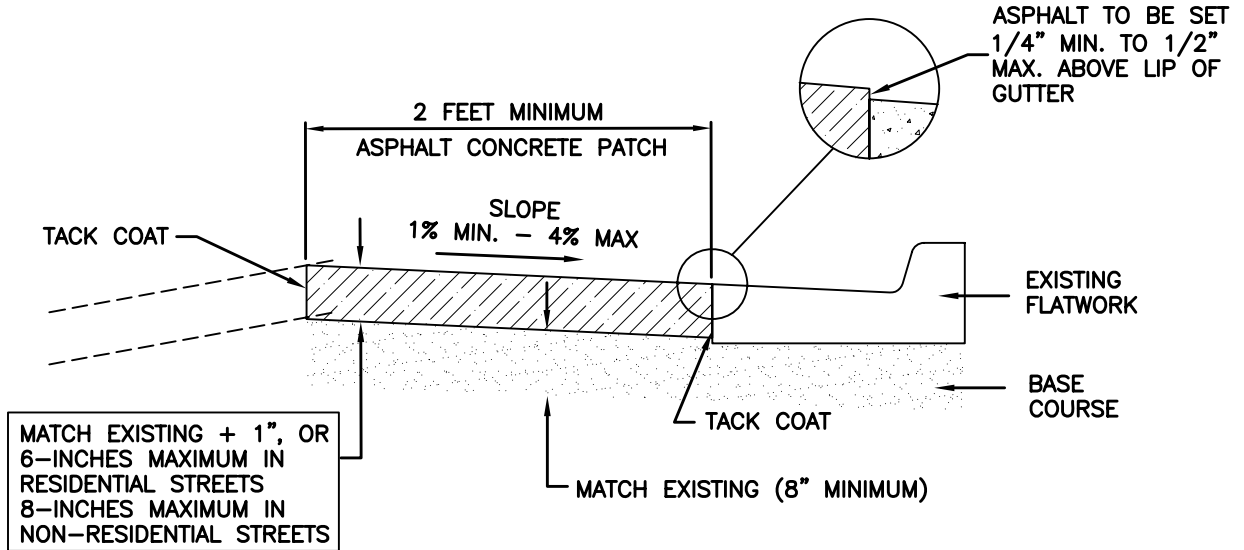


CASE 1 - POSITIVE STREET SLOPE TIE-IN



CASE 2 - NEGATIVE STREET SLOPE TIE-IN