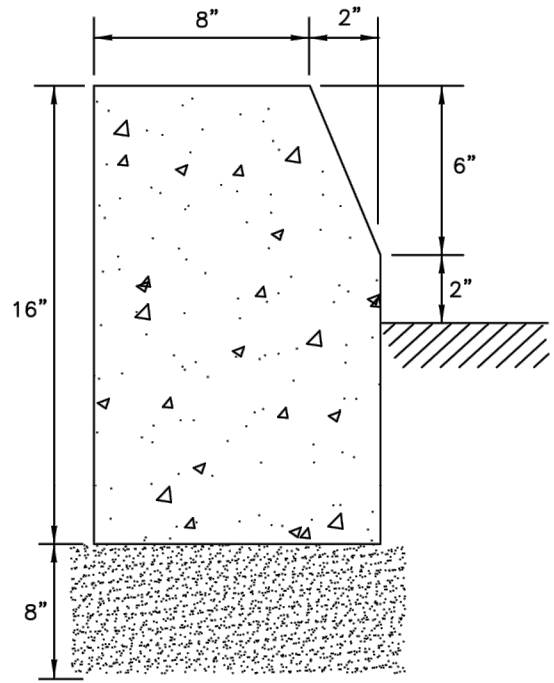


CONCRETE AREA = 0.58 SQ. FT.

**TYPE P**

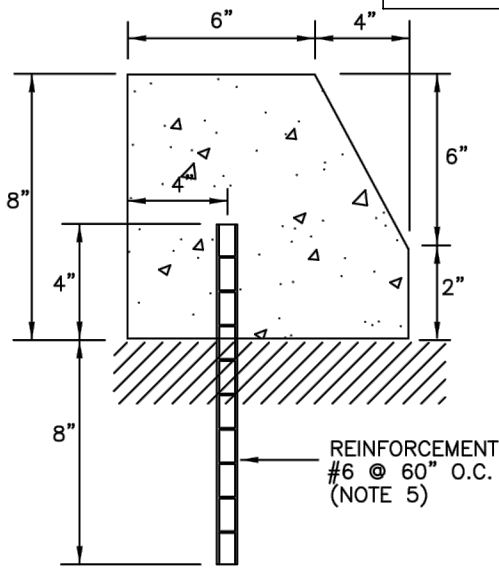
**REQUIRES APPROVAL**



CONCRETE AREA = 1.0278 SQ. FT.

**TYPE Q**

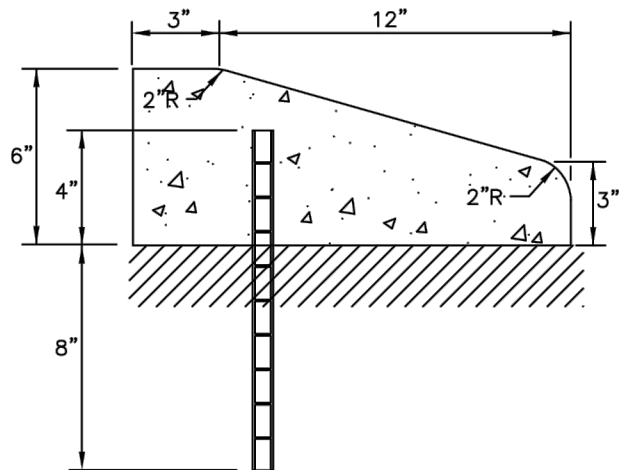
**REQUIRES APPROVAL**



CONCRETE AREA = 0.472 SQ. FT.

**TYPE R**

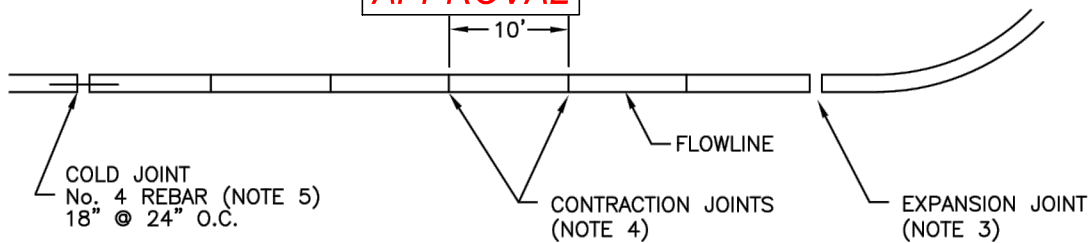
**REQUIRES APPROVAL**



CONCRETE AREA = 0.487 SQ. FT.

**TYPE S**

**REQUIRES APPROVAL**



**JOINT SPACING DETAIL**